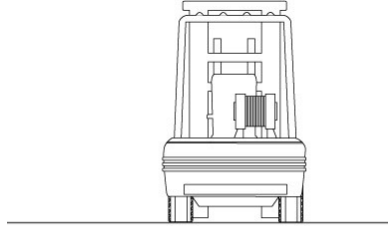
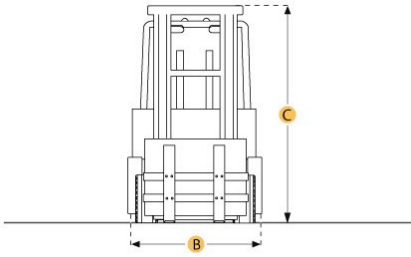


YALE GLP 40 VX5 FORKLIFT



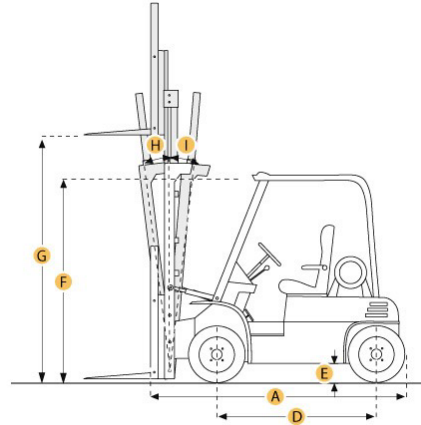
Dimensions

A. LENGTH TO FORK FACE	9.7 ft in	2945 mm
B. OVERALL WIDTH	4.6 ft in	1402 mm
C. OVERALL HEIGHT - MAST LOWERED	7.1 ft in	2175 mm
D. WHEELBASE	6 ft in	1830 mm
E. GROUND CLEARANCE	5.9 in	151 mm
F. HEIGHT TO TOP OF OVERHEAD GUARD	7.4 ft in	2258 mm
G. MAX FORK HEIGHT	9.8 ft in	3000 mm

MAST

H. MAST TIP FORWARD	6 degrees
I. MAST TIP REAR	10 degrees

I



Specification

Engine

MAKE	G.M.	
MODEL		
POWER	103.3 hp	77 kw
TORQUE	225 lb ft	305 Nm
POWER MEASURED @	2400 rpm	
DISPLACEMENT	262.4 cu in	4.3 L
TORQUE MEASURED @	2400 rpm	
FUEL TYPE	LPG	
NUMBER OF CYLINDERS	6	

Operational

OPERATING WEIGHT	13300.5 lb	6033 kg
TIRE TYPE	Supercushion	
NUMBER OF FRONT WHEELS	2	
NUMBER OF REAR WHEELS	2	
MAX SPEED	11.6 mph	18.7 km/h

MAST

LOAD CAPACITY	8818.5 lb	4000 kg
LOAD CENTER	19.7 in	500 mm
MAST TIP FORWARD	6 degrees	
MAST TIP REAR	10 degrees	
LIFT SPEED	120.1 ft/min	36.6 m/min
LOWER SPEED	108.3 ft/min	33 m/min

Dimensions

LENGTH TO FORK FACE	9.7 ft in	2945 mm
OVERALL WIDTH	4.6 ft in	1402 mm
OVERALL HEIGHT - MAST LOWERED	7.1 ft in	2175 mm
MAX FORK HEIGHT	9.8 ft in	3000 mm
WHEELBASE	6 ft in	1830 mm
TURNING RADIUS	8.4 ft in	2570 mm
HEIGHT TO TOP OF OVERHEAD GUARD	7.4 ft in	2258 mm
GROUND CLEARANCE	5.9 in	151 mm